

HD-SDI NON-VANDAL RESISTANT DOME CAMERAS



High Definition Digital Video for Surveillance

HD-SDI is proven technology from the broadcast industry, supporting up to Full HD resolution (1920 x 1080) at 30 FPS over standard coaxial cables.

HD-SDI is uncompressed video over coaxial cables with virtually no latency. It is not IP, so there is no need for costly storage on the edge in case the network goes down.

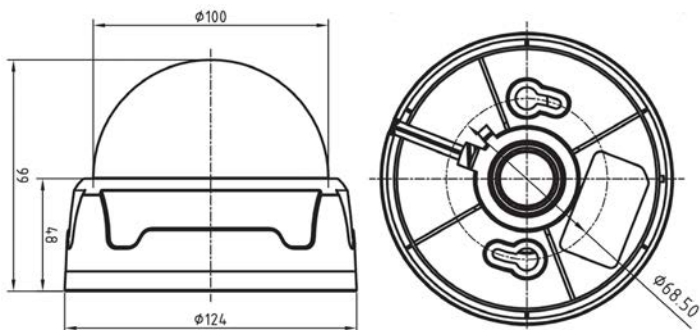
HD-SDI is 6 times the resolution of analog and in many cases existing cable infrastructure can be reused. It supports up to 300 feet over standard RG59 and with low-cost repeaters it supports well over 1000 feet.

Blue Mango's Non-Vandal Resistant Dome camera series offer the highest quality and all come with our award winning support.

KEY FEATURES

- Full HD (1920x1080@30fps) and HD (1280x720@60fps)
- NTSC/PAL Analog output for set-up
- Non-Vandal Resistant
- Progressive Scan
- Day/Night
- Dual Voltage (12VDC/24VAC)
- CE and RoHS Certified

DIMENSIONS



Unit: mm

BMH1030

HD-SDI Non-Vandal Resistant Dome

BMH103R

HD-SDI Non-Vandal Resistant Dome with IR Lighting

BMH1030-03

HD-SDI Non-Vandal Resistant Dome with 3x Zoom

BMH103R-03

HD-SDI Non-Vandal Resistant Dome with IR Lighting and 3x Zoom

HD-SDI NON-VANDAL RESISTANT DOME CAMERAS

| | BMH1030 | BMH103R | BMH1030-03 | BMH103R-03 |
|-------------------------------------|--|-------------------------------|--|-------------------------------|
| VIDEO | | | | |
| Image Sensor | 1/3" Panasonic CMOS Sensor | | 1/2.9" Sony Exmor CMOS Sensor | |
| Total Pixels | 2010 (H) x 1108 (V) | | 2000 (H) x 1241 (V) | |
| Active Pixels | 1944 (H) x 1092 (V) | | 1984 (H) x 1225 (V) | |
| Scanning System | Progressive | | | |
| Resolution | Digital 1920x1080 (1080p30), 1280x720 (720p60); Analog 700TVL | | | |
| Min. Illumination | Color 1.0 lux; B/W 0.5 lux; Color DSS 0.002 lux; B/W DSS 0.001 lux | | Color 0.5 lux; B/W 0.1 lux; Color DSS 0.002 lux; B/W DSS 0.001 lux | |
| S/N Ratio | >50db (AGC off) | | | |
| Video Output | HD-SDI and Analog (NTSC/PAL without WDR) | | | |
| LENS | | | | |
| Focal Length | 2.8 mm ~ 10 mm | | | |
| Shutter Speed | Auto / Manual (1/30 or 1/25 ~ 1/60,000) | | | |
| Optical Zoom | — | | 3x Optical Zoom, 3mm - 9mm (F1.2 to 2.1) | |
| IR LED Lighting | — | 27 IR LEDs 10-12 m (32-40 ft) | — | 27 IR LEDs 10-12 m (32-40 ft) |
| OPERATIONAL | | | | |
| On Screen Display | English | | | |
| OSD Text | 0 ~ 9, A ~ Z, a ~ z | | | |
| DSS (Digital Slow Shutter) | OFF, x2, x3, x4 | | | |
| AGC (Automatic Gain Control) | OFF / ON | | | |
| WDR / BLC | OFF / WDR / BLC | | | |
| Day / Night | Auto / Day / Night / Ext | | | |
| Smart IR | OFF / ON | | | |
| White Balance | Auto / Preset / Manual / Indoor / Outdoor | | | |
| Sharpness | 0 ~ 10 steps | | | |
| Mirror | OFF / H / V / H&V | | | |
| Freeze | OFF / ON | | | |
| Digital Zoom | 32x | | | |
| HLC (High Light Compensation) | OFF / ON | | | |
| ACE (Advanced Contrast Enhancement) | OFF / ON | | | |
| DNR (Dynamic Noise Reduction) | OFF / Low / Middle / High / Auto | | | |
| D. Compress | OFF / ON | | | |
| Privacy Mask | OFF / ON (32 points) | | | |
| Motion Detection | — | | | Yes |
| Shade Detection | OFF / ON | | | |
| Shading | OFF / ON | | | |
| Defect Detection | OFF / ON | | | |
| Defog | OFF / ON | | | |
| Pattern Generator | OFF / ON | | | |
| CVBS (Composite Out) | OFF / ON | | | |
| COMMUNICATION | | | | |
| ID | 1 ~ 255 | | | |
| RS-485 | Baudrate: 2400, 4800, 9600, 19200, 38400, 57600, 115200 | | | |
| Protocol | Pelco-P; Pelco-D | | | |
| ENVIRONMENTAL | | | | |
| Operating Temperature | -10°C ~ +50°C, Humidity 0%RH ~ 80%RH | | -5°C ~ +60°C, Humidity 0%RH ~ 80%RH | |
| Storage Temperature | -20°C ~ +60°C, Humidity 0%RH ~ 90%RH | | | |
| Certifications | FCC, CE, RoHS | | | |
| ELECTRICAL | | | | |
| Input Voltage and Current | Dual Voltage 12VDC ±10% or 24VAC ±10%; 350mA; 700mA with IR | | | |
| Power Consumption | Max. 3 watts | | | |
| MECHANICAL | | | | |
| Housing | Non-vandal resistant housing | | | |
| Dimensions | 124 mm (W) x 99 mm (H); (4.88" W x 3.898" H) | | | |
| Weight | 0.9 kg (1.98 lbs) | | | |

Design and specifications are subject to change without notice.

DISTRIBUTED BY



Blue Mango Technology, Inc.
 PO Box 73335, San Clemente, CA 92673
 +1.949.502.0300
 www.bluemangotech.com sales@bluemangotech.com

