

HD-SDI VANDAL RESISTANT DOME CAMERAS



High Definition Digital Video for Surveillance

HD-SDI is proven technology from the broadcast industry, supporting up to Full HD resolution (1920 x 1080) at 30 FPS over standard coaxial cables.

HD-SDI is uncompressed video over coaxial cables with virtually no latency. It is not IP, so there is no need for costly storage on the edge in case the network goes down.

HD-SDI is 6 times the resolution of analog and in many cases existing cable infrastructure can be reused. It supports up to 300 feet over standard RG59 and with low-cost repeaters it supports well over 1000 feet.

Blue Mango's Vandal Resistant Dome camera series offer the highest quality and all come with our award winning support.

KEY FEATURES

- Full HD (1920x1080@30fps) and HD (1280x720@60fps)
- NTSC/PAL Analog output for set-up
- Vandal Resistant
- Progressive Scan
- Day/Night
- Dual Voltage (12VDC/24VAC)
- IP66 Rated
- CE and RoHS Certified

BMH1V30

HD-SDI Vandal Resistant Dome

BMH1V3R

HD-SDI Vandal Resistant Dome with IR Lighting

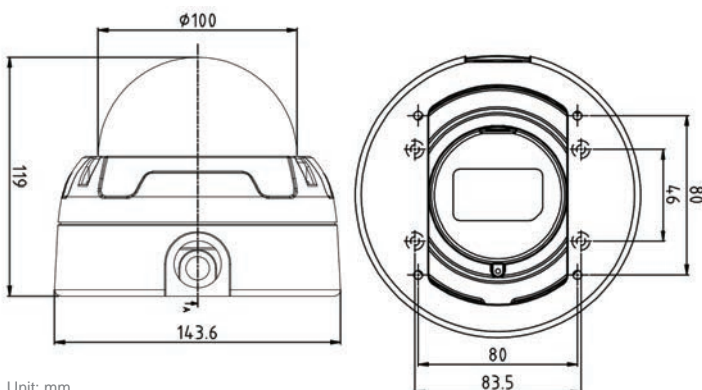
BMH1V30-03

HD-SDI Vandal Resistant Dome with 3x Zoom

BMH1V3R-03

HD-SDI Vandal Resistant Dome with IR Lighting and 3x Zoom

DIMENSIONS



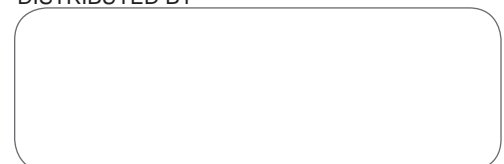
Unit: mm

HD-SDI VANDAL RESISTANT DOME CAMERAS

	BMH1V30	BMH1V3R	BMH1V30-03	BMH1V3R-03
VIDEO				
Image Sensor	1/3" Panasonic CMOS Sensor		1/2.9" Sony Exmor CMOS Sensor	
Total Pixels	2010 (H) x 1108 (V)		2000 (H) x 1241 (V)	
Active Pixels	1944 (H) x 1092 (V)		1984 (H) x 1225 (V)	
Scanning System	Progressive			
Resolution	Digital 1920x1080 (1080p30), 1280x720 (720p60); Analog 700TVL			
Min. Illumination	Color 0.5 lux; B/W 0.1 lux; Color DSS 0.002 lux; B/W DSS 0.001 lux		Color 0.5 lux; B/W 0.1 lux; Color DSS 0.002 lux; B/W DSS 0.001 lux	
S/N Ratio	>50db (AGC off)			
Video Output	HD-SDI and Analog (NTSC/PAL without WDR)			
LENS				
Focal Length	2.8 mm ~ 10 mm			
Shutter Speed	Auto / Manual (1/30 or 1/25 ~ 1/60,000)			
Optical Zoom	—		3x Optical Zoom, 3mm ~ 9mm (F1.2 to 2.1)	
IR LED Lighting	—	27 IR LEDs 10-12 m (32-40 ft)	—	27 IR LEDs 10-12 m (32-40 ft)
OPERATIONAL				
On Screen Display	English			
OSD Text	0 ~ 9, A ~ Z, a ~ z			
DSS (Digital Slow Shutter)	OFF, x2, x3, x4			
AGC (Automatic Gain Control)	OFF / ON			
WDR / BLC	OFF / WDR / BLC			
Day / Night	Auto / Day / Night / Ext			
Smart IR	OFF / ON			
White Balance	Auto / Preset / Manual / Indoor / Outdoor			
Sharpness	0 ~ 10 steps			
Mirror	OFF / H / V / H&V			
Freeze	OFF / ON			
Digital Zoom	32x			
HLC (High Light Compensation)	OFF / ON			
ACE (Advanced Contrast Enhancement)	OFF / ON			
DNR (Dynamic Noise Reduction)	OFF / Low / Middle / High / Auto			
D. Compress	OFF / ON			
Privacy Mask	OFF / ON (32 points)			
Motion Detection	—			Yes
Shade Detection	OFF / ON			
Shading	OFF / ON			
Defect Detection	OFF / ON			
Defog	OFF / ON			
Pattern Generator	OFF / ON			
CVBS (Composite Out)	OFF / ON			
COMMUNICATION				
ID	1 ~ 255			
RS-485	Baudrate: 2400, 4800, 9600, 19200, 38400, 57600, 115200			
Protocol	Pelco-P; Pelco-D			
ENVIRONMENTAL				
Operating Temperature	-10°C ~ +50°C, Humidity 0%RH ~ 80%RH		-5°C ~ +60°C, Humidity 0%RH ~ 80%RH	
Storage Temperature	-20°C ~ +60°C, Humidity 0%RH ~ 95%RH			
Certifications	FCC, CE, RoHS			
ELECTRICAL				
Input Voltage and Current	Dual Voltage 12VDC ±10% or 24VAC ±10%; 350mA; 700mA with IR			
Power Consumption	Max. 3 watts			
MECHANICAL				
Housing	Aluminum Die-cast Housing; IP66 Rated			
Dimensions	143.6 mm (W) x 119 mm (H); (5.656" W x 4.6875" H)			
Weight	1.3 kg (2.86 lbs)			

Design and specifications are subject to change without notice.

DISTRIBUTED BY



Blue Mango Technology, Inc.
 PO Box 73335, San Clemente, CA 92673
 +1.949.502.0300
 www.bluemangotech.com sales@bluemangotech.com