

# homescenario

Smart home made easy!



## **IP Intercom + Home Automation:** *The Integrated Building Automation Solution*

**Joel Liu**  
HOMESCENARIO, INC.



## Company Profile

**homescenario**

Smart home made easy!

## About HomeScenario

HomeScenario, Inc. offers *cloud-enabled* solutions for **Alarm & Access Control, IP Intercom, Video Surveillance, Home Automation, Audio/Video, and Energy Management.** Integrating technologies of wireless control and broadband networking, the HomeScenario solutions make comfort, convenience, safety, security, and eco-friendliness available without the need of extensive and costly remodeling. Our products are designed to work seamlessly with systems such as lighting, thermostat, door access, window shades, security monitoring, audio/video, and more. All of them can be controlled easily through remote, touch screen, PC, or smart phone.

Please visit [www.homescenario.com](http://www.homescenario.com) for more product information.

# Corporate

- **Founded:** Dec. 2007
- **HQ:** Taipei, Taiwan
- **Market Presence:** Greater China, SE Asia, Middle East, Europe



**Dr. YC Wang/CTO**

Ph.D., UC Irvine; CTO, REDSonic;  
Senior Director, Alpha Networks

**Joel Liu/CEO**

CEO, REDSonic; BU Head,  
D-Link

**Systems installed in 5,000+ houses every year!!!**



## Taipei 101

Taipei, Taiwan  
Smart Office/Energy  
Management

## Naked Resort

Zhejiang, China  
Guest Room Energy  
Mgmt

## Uptown

New Taipei, Taiwan  
IP Intercom

## Bell University

Shanghai, China  
Smart Classroom

## Idea Business

Center  
Taipei, Taiwan  
Smart Office

## 【Xinyi 18】

Taipei, Taiwan  
Smart Home

## NTU/Intel

Innovation  
Center  
Taipei, Taiwan  
Smart Office/Meeting  
Room

# HomeScenario Solutions



- Alarm & Access Control
- IP Intercom
- Video Surveillance
- Home Automation
- Audio/Video
- Green Home/Smart Energy Mgmt



# IP Intercom + Home Automation

**homescenario**

Smart home made easy!

## The New IP Intercom

- *Not just the video door phone*
- *With integrated technology and touch panel, the intercom touch panel is also your portal to Smart Home*



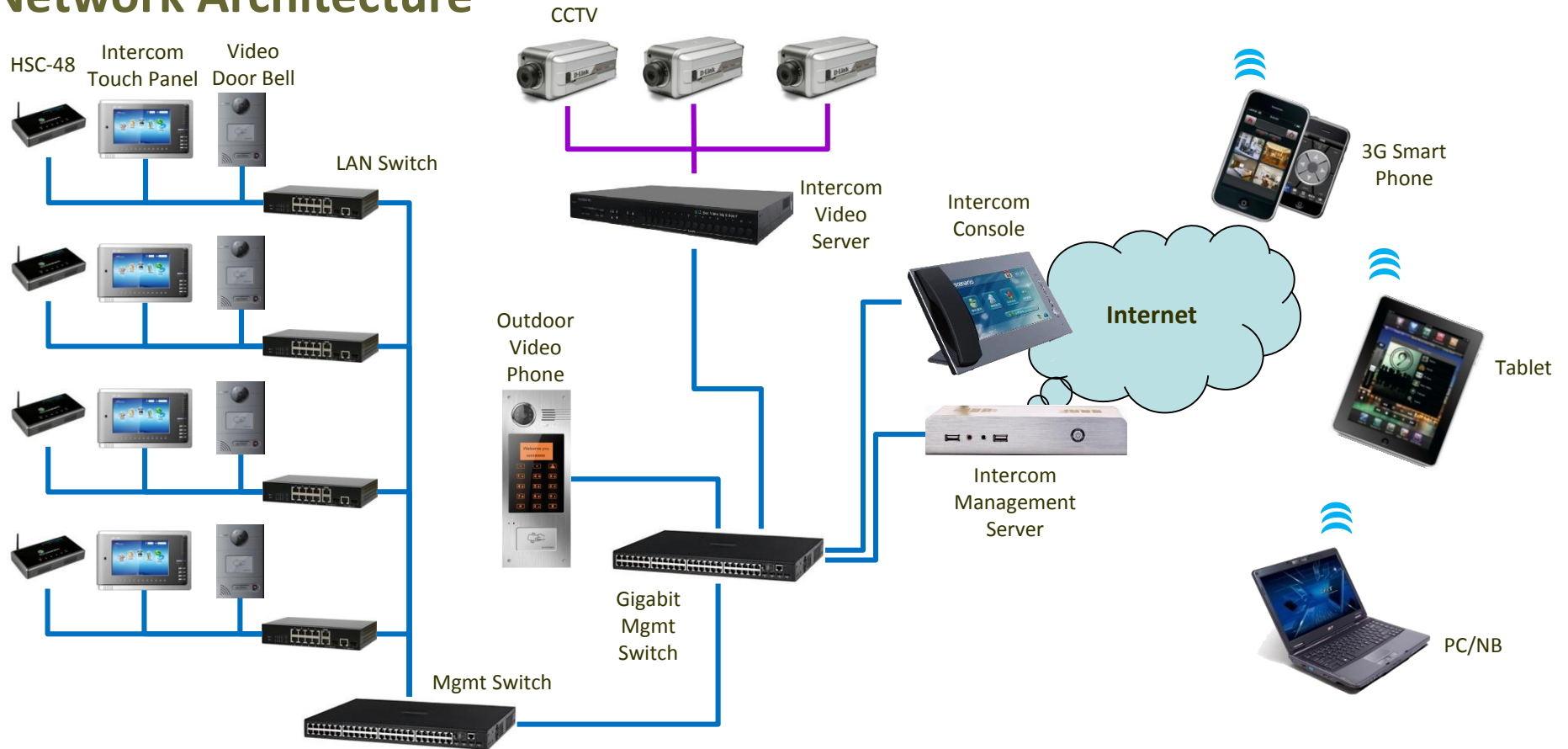
- TCP/IP architecture – scalable, interoperable & easy-to-deploy
- Fully integrated features
- Touch screen, user-friendly interface
- Can be accessed & monitored from anywhere
- Flexible for value-added services, e.g. news, weather

# Building Automation Network Architecture

Coaxial

Wi-Fi/3G

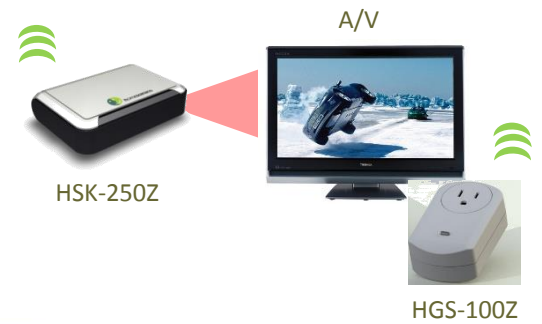
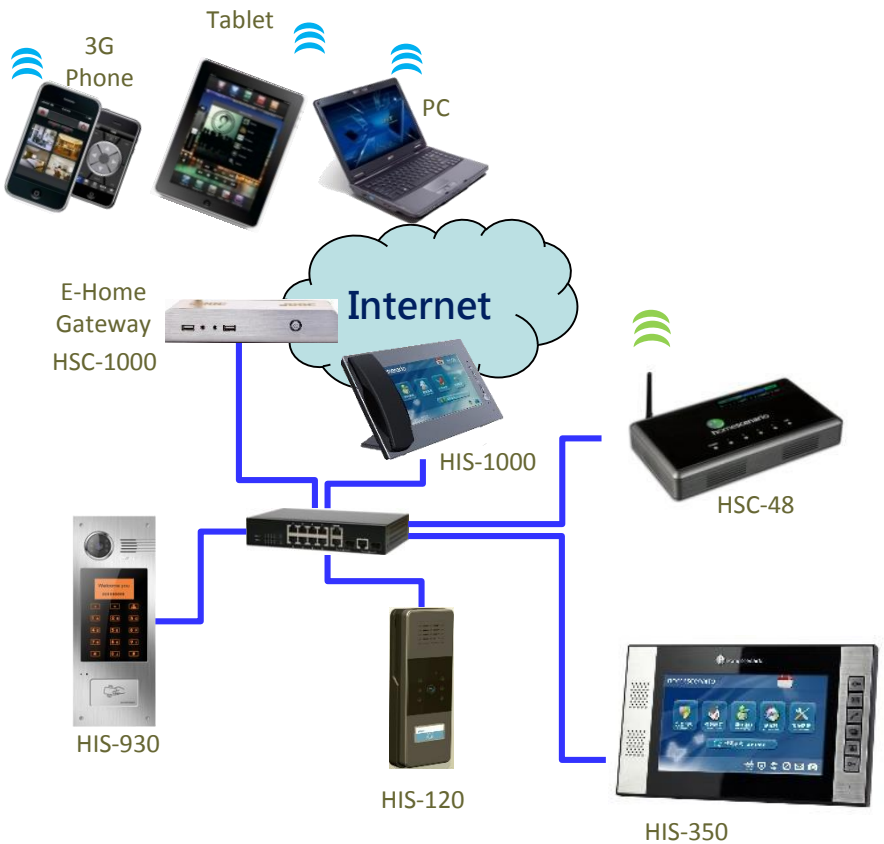
IP





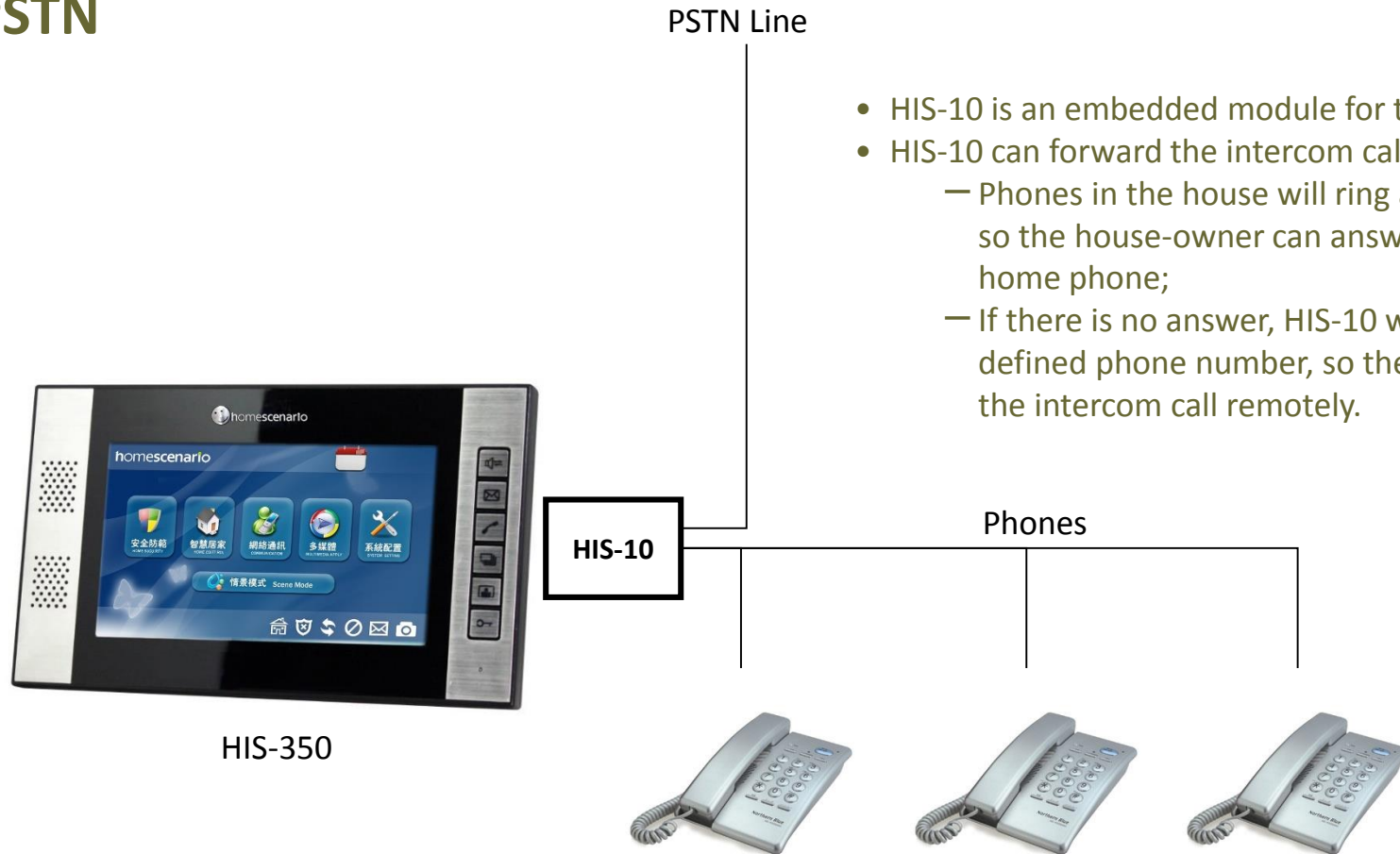
# Building Automation Application Diagram

Z-Wave  
Wi-Fi/3G





# Call Forwarding to PSTN



- HIS-10 is an embedded module for the HIS-350;
- HIS-10 can forward the intercom call to **PSTN** phone system:
  - Phones in the house will ring as intercom call comes in, so the house-owner can answer the intercom call by home phone;
  - If there is no answer, HIS-10 will dial out to a pre-defined phone number, so the house-owner can answer the intercom call remotely.

# Features

- **IP Intercom:**

- Indoor touch panel vs outdoor video phone
- Indoor touch panel vs video door bell
- Door to door intercom
- Call mgmt center operator

- **Access Control:**

- Via mgmt center
- Via touch panel
- Via keypad or RFID reader

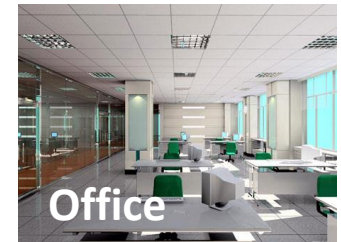
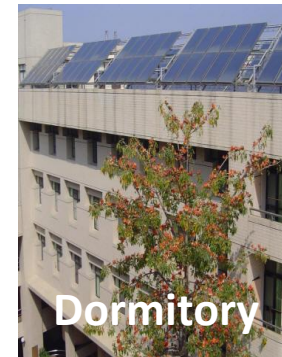
- **Alarm System:**

- System arm/disarm
- Instant alert to mgmt center
- Instant siren alert
- Instant alert to user via e-mail/SMS (optional)

## Features (cont'd)

- **Information Feeds:**
  - Publish news/announcements from mgmt center
  - Temperature, weather, etc.
- **Home Automation:**
  - Home controls:
    - Lighting on/off/dim
    - Appliance on/off
    - Window shades
    - Thermostats
    - Audio/video
  - Scenario control, one touch does it all
  - Control via touch panel, smart phone, remote
- **Control Anywhere:**
  - Via 3G or internet
  - SMS
  - IP surveillance

# Applications



# Intercom User Interfaces



# HomeScenario Solution Advantage

- **Flexible, scalable, powerful**
- **Well integrated total solution: IP intercom + home automation**
- **IP based, can be viewed and controlled from anywhere via the Internet**
- **Wireless control technology, greatly reduces installation efforts**
- **Open architecture, easy to integrate value-added services and maintain**



## Main Products

**homescenario**

Smart home made easy!

# Outdoor Video Door Phone



**HIS-930**

Features	Technical Spec
<ul style="list-style-type: none"> <li>• CCD camera</li> <li>• 3.5" LCD display</li> <li>• LED for night vision</li> <li>• Keypad for dialing room number</li> <li>• RFID reader (optional)</li> <li>• Water splash proof</li> <li>• IP intercom with indoor intercom and mgmt. center</li> <li>• Controls door lock from local, indoor video phone, or mgmt. center</li> </ul>	<ul style="list-style-type: none"> <li>• Power 12V</li> <li>• LAN RJ-45</li> <li>• I/O Lock/Open</li> <li>• Installation In-wall</li> <li>• Dimension: 155x375x46.5mm</li> </ul>

# Indoor Touch Panel



**HIS-350 (7")**



**HIS-410 (10")**

Features	Technical Spec
<ul style="list-style-type: none"> <li>• Capacitor touch panel</li> <li>• Hot keys for intercom</li> <li>• User interface for controlling lighting, HVAC, window shades, etc.</li> <li>• Video intercom with outdoor video phone, mgmt. center, and neighbors</li> <li>• Live camera monitoring</li> <li>• Alarm system support</li> <li>• Shows information announcements from the mgmt. center</li> </ul>	<ul style="list-style-type: none"> <li>• Power 12V</li> <li>• LAN RJ-45</li> <li>• DI 6x (HIS-350), 8x (HIS-410)</li> <li>• Siren 1x</li> <li>• Serial RS-485 (HIS-410)</li> <li>• Dimension: 247x146x26mm (HIS-350), 280x214x28.5mm (HIS-410)</li> </ul>

# Video Door Bell



**HIS-120**



**HIS-150/150C**

Features	Technical Spec
<ul style="list-style-type: none"> <li>• CCD camera (HIS-150/150C), CMOS camera (HIS-120)</li> <li>• LED for night vision</li> <li>• RFID reader (Mifare) for access control (HIS-150C)</li> <li>• IP-based, can be placed in multiple locations</li> <li>• Intercom with HIS-350/410</li> <li>• Controls door lock</li> </ul>	<ul style="list-style-type: none"> <li>• Power 12V</li> <li>• LAN RJ-45</li> <li>• I/O Lock/Open</li> <li>• RFID Mifare (HIS-150C)</li> <li>• Dimension:               <ul style="list-style-type: none"> <li>– HIS-120: 66x184x26mm</li> <li>– HIS-150/150C: 116x192x47mm</li> </ul> </li> </ul>

# Intercom Console



**HIS-1000**

Features	Technical Spec
<ul style="list-style-type: none"> <li>• 9" touch panel LCD display</li> <li>• High-end metal outlook</li> <li>• IP intercom with indoor panels and outdoor video phones</li> <li>• Provides handset for intercom</li> <li>• Monitors video and controls door lock for outdoor video phone</li> </ul>	<ul style="list-style-type: none"> <li>• Power 12V</li> <li>• LAN RJ-45</li> <li>• Panel 9" touch panel</li> <li>• Dimension: 303x195x29.5mm</li> </ul>

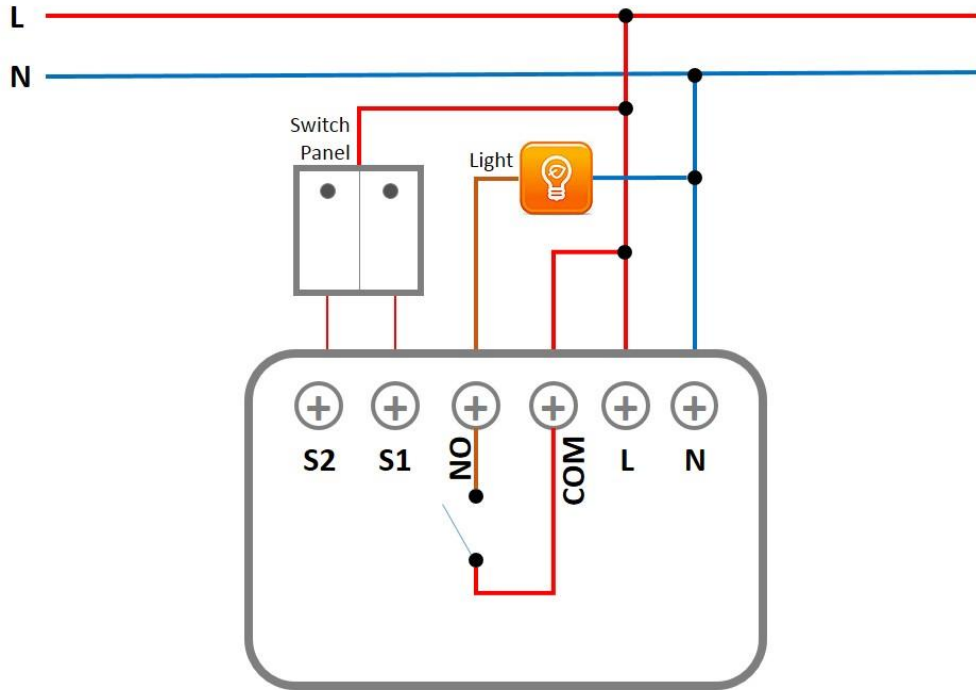
# Wi-Fi Control Gateway



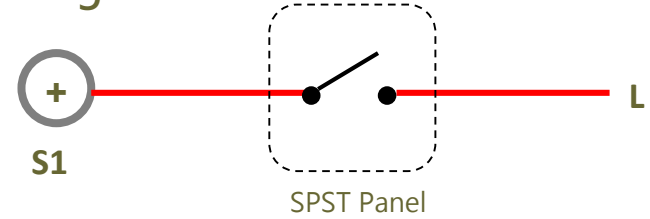
HSC-48

- Bridges between IP and RF networks
- Supports 802.11b/g/n access point
- Supports Z-Wave 2-way mesh networking, RF range up to 30m indoors
- Provides USB, RS-485 and digital input/output interfaces
- Wirelessly controls various home systems, e.g. lighting, thermostat, door access, window shades, security monitoring, A/V equipment, etc.
- Works with HCM-110/125 IP cameras for remote monitoring
- Built-in web server for home control for the iPhone/ iPad/ Android/ PC
- Always updates system status to the portal and allows control from anywhere via the portal
- Can work with HIS-350/410 intercom panel and host server for large scale deployment

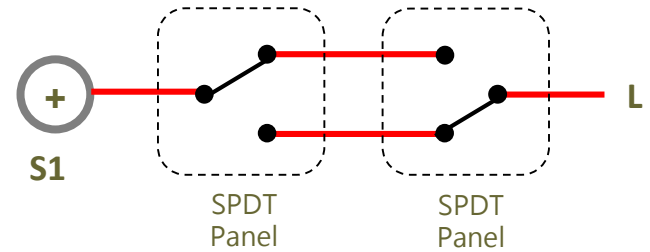
# Lighting Control (HGS-110Z)



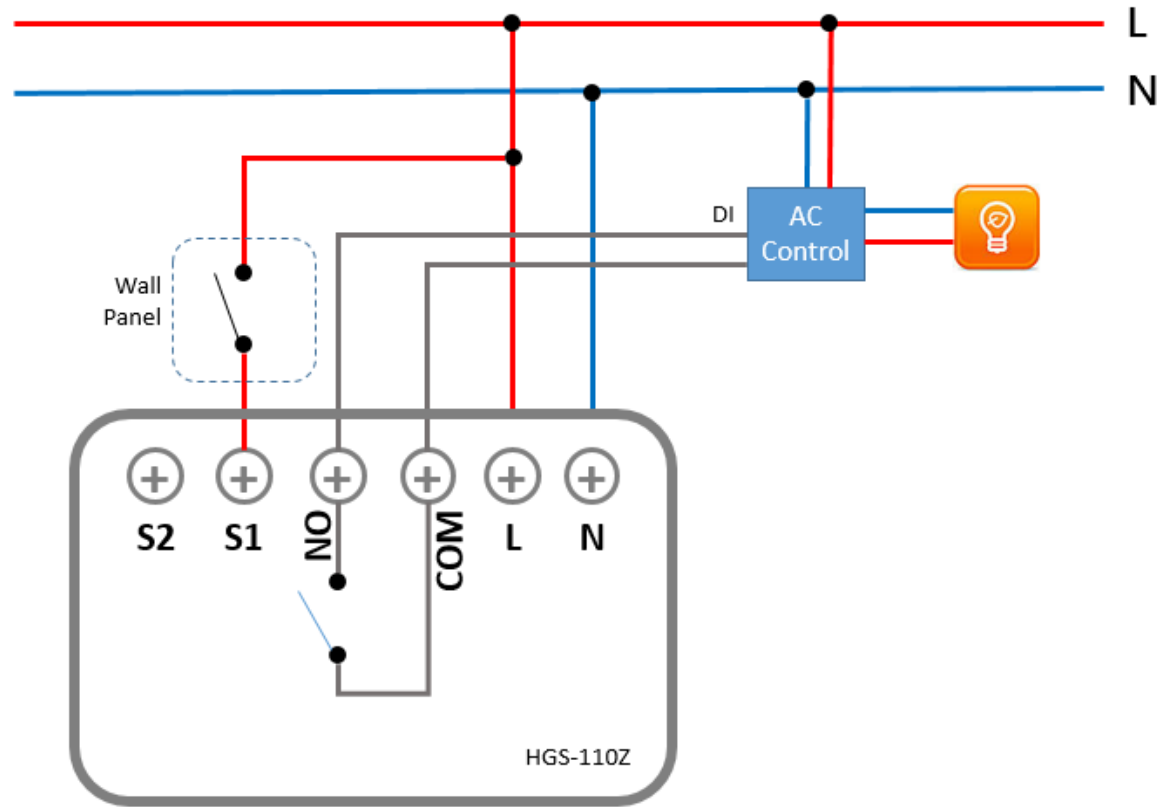
## Single Pole:



## 3-Way:

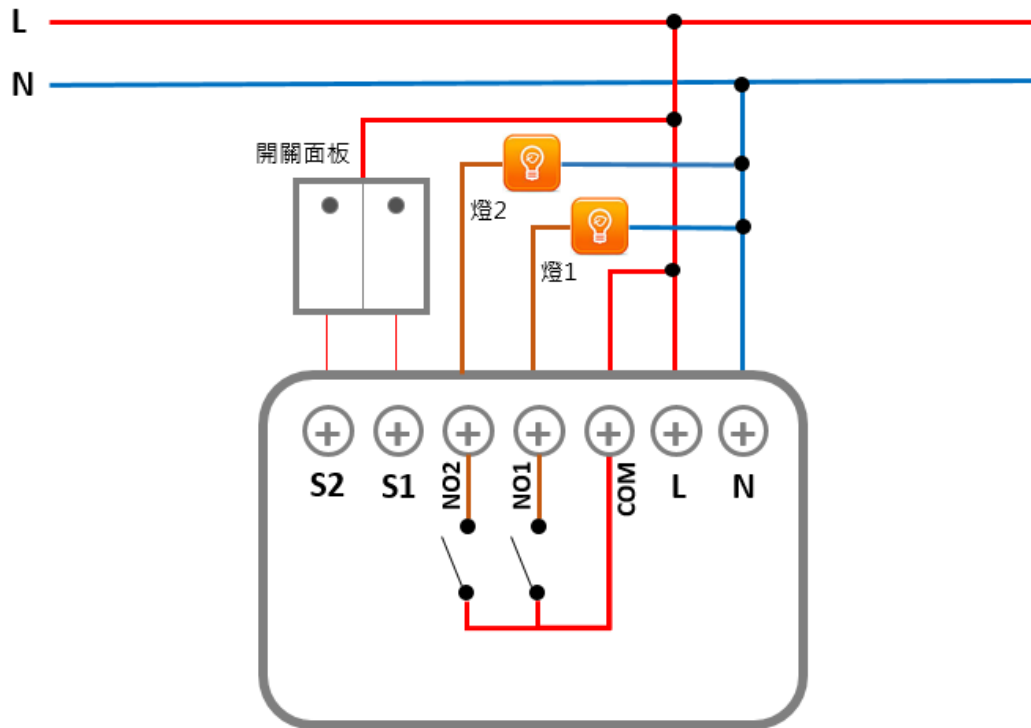


# Main Power Control (HGS-110Z)

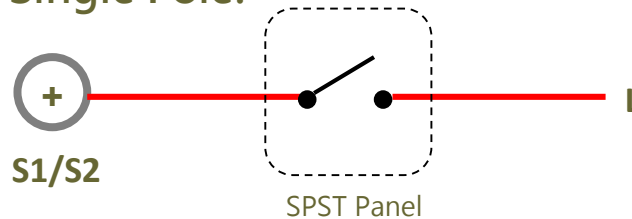




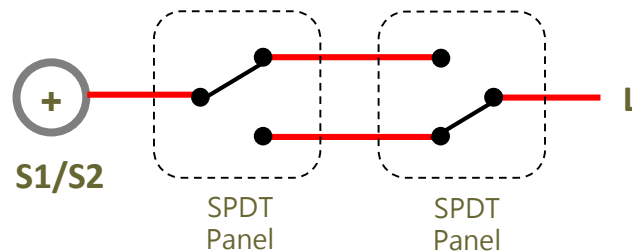
# Lighting Control (HGS-120Z)



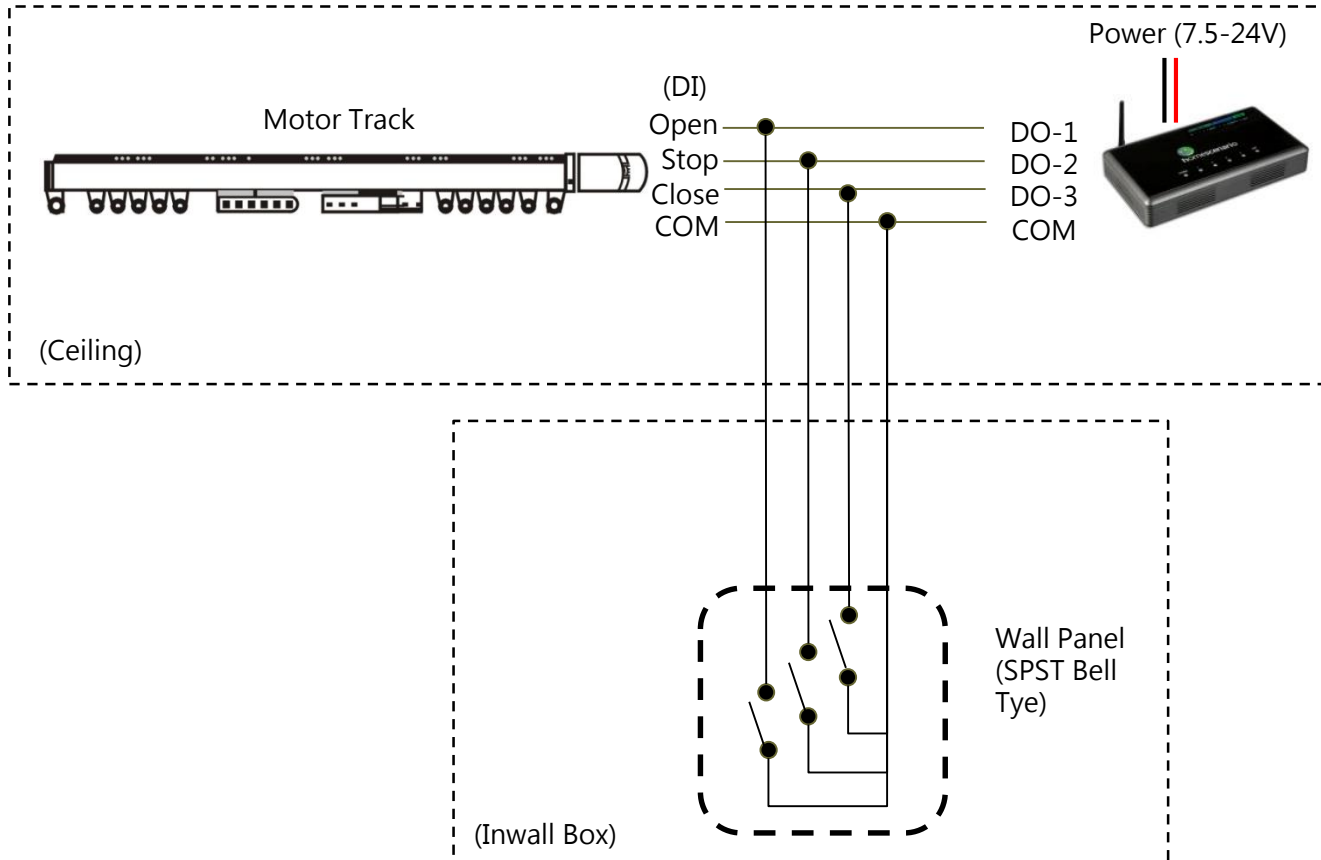
## Single Pole:



## 3-Way:



# Window Shades Control (HSM-300Z)





**Thank You**

[joel\\_liu@homescenario.com](mailto:joel_liu@homescenario.com)

**homescenario**

Smart home made easy!

[www.homescenario.com](http://www.homescenario.com)