

Hardware Platform

NVR42

Processor

- Intel® Atom™ D510 1.66GHz

System Memory

- 2GB DDR-2 SDRAM

LAN Interface (PCI-e)

- RJ-45x2: 10/100/1000 BASE-TX Auto MDI/MDI-X

USB Interface

- USB 2.0 host port x6(Front x2, Back x4) (A Type)

LCD indicator

- HDD Power, Activity (Yellow) / Fail (Red)
- LAN/WAN Activity (Green)
- USB COPY Busy (Blue)
- USB COPY Fail (Red)

OLED Module

- 2.8" OLED display
- 4 buttons (ENTER, ESC, UP, DOWN)
- Multi-lingual supported

SATA Device

- 4x SATA for internal, 2x eSATA for external

Disk Interface

- SATA x4

Power Supply

- External power adapter 19V input (support 2TB and above HDDx4)

Expansion Slot

- PCI-e x1

Thermal/Fan control

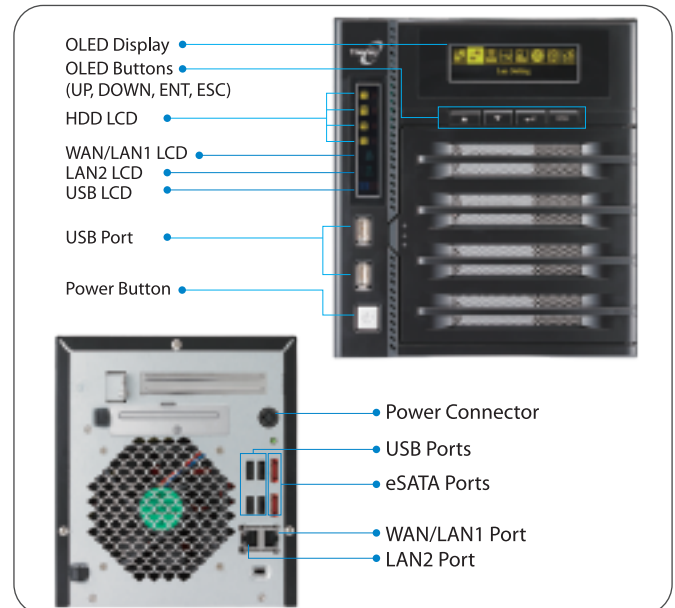
- Thermal sensor on system and processor temperature
- System fan speed controlled by temperature

Buttons

- Power button
- OLED button

Environment

- Temperature: 5°C to 40 °C
- Humidity: 0 ~ 80 % R.H. (Non-condensing)



NVR22

Processor

- Intel® Atom™ D525 1.8GHz

System Memory

- 1GB DDR3 SODIMM

LAN Interface (PCI-e)

- RJ-45x2: 10/100/1000 BASE-TX Auto MDI/MDI-X

USB Interface

- USB 2.0 host port x3(Front x1, Back x2) (A Type)

LED indicator

- Power(Blue)
- HDD1-2 Activity/Fail(Blink white/Red)
- WAN (Link: Solid white; Activity: Blink white)
- LAN (Link: Solid white; Activity: Blink white)
- USB (Copy LED: Blink white)
- Card Reader (Copy LED: Blink white)

Disk Interface

- SATA x2 via backplane

SATA Device

- 2x SATA for internal, 1x eSATA for external

Power

- 60W external power adaptor

PCI-e x1 slot x1

Thermal/Fan control

- Thermal sensor on processor FAN control
- System FAN speed controlled by temperature

Card Reader

- Support SD/SDHC/MMC

Real-time clock

- Battery backup system clock

Power management

- Power on after power lose resume

Buzzer

- Frequency Controllable

Buttons

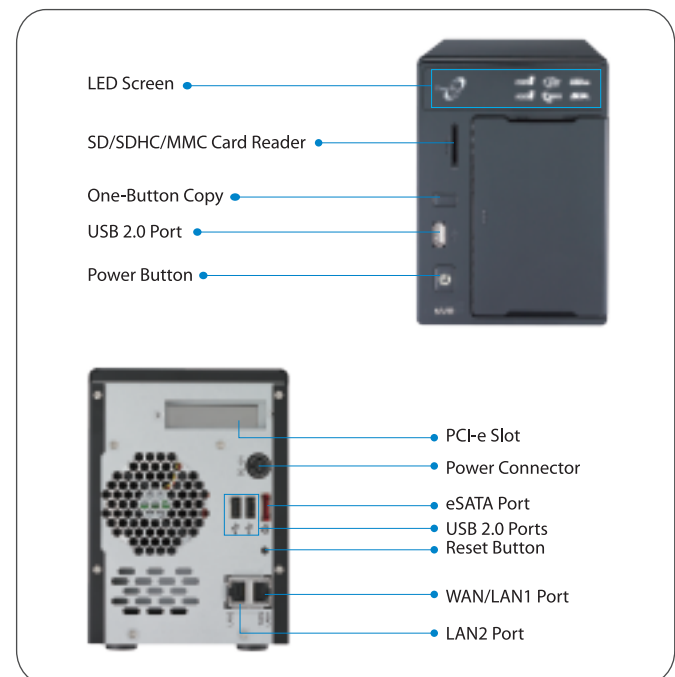
- Power button
- USB copy button

Environment

- Temperature: 5°C to 40 °C
- Humidity: 0 ~ 80 % R.H. (Non-condensing)

Chassis

- 2bays Tower Metal Chassis



Thecus®, Creator in Storage
www.thecus.com

Thecus® HQ

15F., No.79, Sec. 1, Sintai 5th Rd., Sijhih Dist, New Taipei City 221, Taiwan (R.O.C.)

Email : sales@thecus.com

Thecus® U.S.A., Inc.

487 Montague Expressway, Milpitas , CA 95035

Email: support@us.thecus.com

Tech support: http://ussupport.thecus.com/esupport

Thecus® China

13th Floor Room G, Investment Building, Zhongshan South Road No. 414,

Qinhuai District, Nanjing City, China

Email : support@thecus.com.cn

Thecus® NL B.V.

Marinus Dammeweg 7, 5928 PW Venlo, the Netherlands

Email: thecus_nl@thecus.com

Tech support: http://esupport.thecus-eu.com.

Support Email : support_nl@thecus.com

Thecus® Austria

Viktor-Kaplan-Strasse 9B A-2201 Gerasdorf/Wien, Austria

Email : office@thecus.at

Thecus® Australia & NZ

Unit 1, Building C, 350 Parramatta Rd, Homebush, NSW, 2140 Australia

AU : sales@altech.com.au NZ : sales@altechcomputers.co.nz

Thecus® Japan

Asami Building 11F 2-4-7 Minami-Shinagawa, Shinagawa-Ku, Tokyo, 140-0004 JAPAN

Email : Salesa@uac.co.jp