



# Goalie- Office Access Control System from TopQuark

## New era for security software – Goalie

Access control device connecting to network is only the first step. Only Goalie can turn device into sharing resource. Try **Goalie** to experience the difference with other brands.

- Automatic and instant data collection
- Device management from web
- Concurrent monitor from many security stations
- Device Sharing between applications
- Optional module such as dine-attendance module, elevator floor control module, pluggable data handler, web service module, dynamic multi-thread module ... etc.

## Product Description

Web management interface: No extra software needed. Control device directly from web and complete instant data collection anywhere with Internet. Concurrent monitoring from many Windows security stations.

Three Versions: Standard, Professional and Enterprise

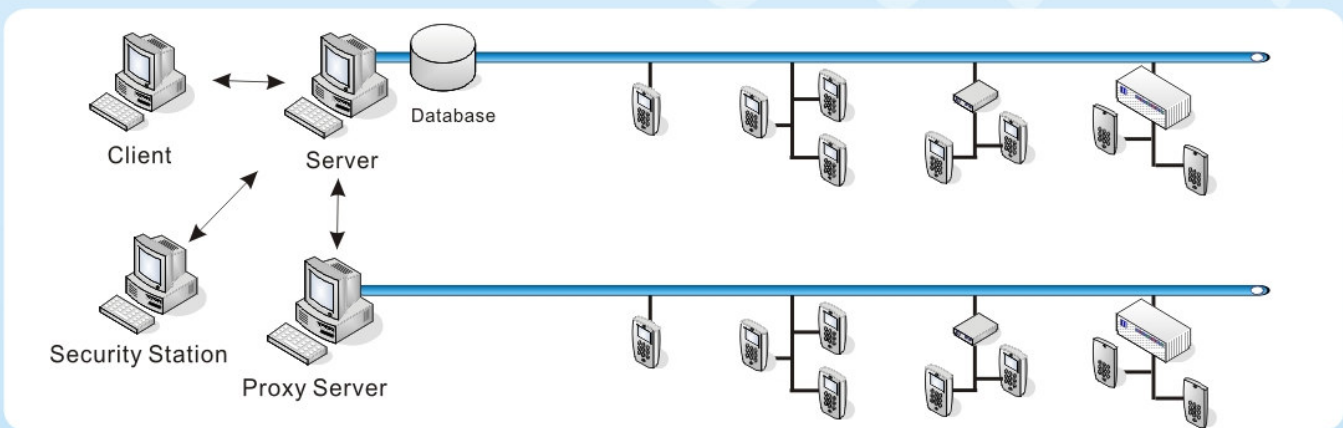
Customized design service provided: we offer office security system, factory Entrance management system, Dormitory security system and Housing community system.

## Suitable for User

- Enterprise with branch offices round the world.
- Enterprise with complicated departments and need to control entry by different levels.
- Enterprise who need cost-down and higher security system
- Enterprise who need customized services
- Enterprise with a variety of access control device who need to integrate them all

## System Requirement

- Network: TCP/IP and RS232
- Server: Windows 2000/XP/2003, MS SQL Server 2000 and above, IIS 5.0 and above
- Security Station: Windows 2000/XP/2003
- Client: Windows 2000/XP/2003, MS IE6.0 and above
- Access Control Device: Support over 20 device models from many manufacture. Continue to grow



## Characteristics:

- Instant Data Collection: Automatically recovery from device disconnection and reestablish connection. No manual action required.
- Device manage from Web: Maintain and set up device via web easily and manual or automatic download entry list through web.
- Program Authority Control: Management program authority (insert, update, delete) by user or group
- Data Authority Control: Provide variety roles to secure data when in need such as system administrator, personnel manager, account manager, area manager, and group entry manager.
- Area Control: Help to control areas and set up management to give permits to the people in the same area.
- Group Management: Personalized entry control adjustment and define certain group for entry
- Device Control: Provide holiday setting, time zone setting and parameter setting for different devices.
- Password control: Set password via web
- Card Management: One official card and one temporary card for one member. Card recyclable.
- Automatic Card Issuing to device: System monitors expiry date of card. Issue card while in valid and delete card while expire.
- Instant Record Output to File: Set specific data to output in order to back up somewhere else. Define format to combine with personnel salary system.
- Event Log: Record history of system and device by seriousness and event categories for inquiry.
- Entry Record: Protect data by authority and offers all kinds of inquiry table.
- Data Export: Output data from inquiry result to text file in CSV format.
- Data Import: import personnel data, photos with various modes for returning card, issuing card and quit.
- Instant Entry Monitor: Instant view of photo and entry status of card user from security stations.
- Instant Device Status Monitoring: Instant view of connection of device, alert status, pop-up alarm alert and alert audit management from security stations.
- Dine-Attendance Module: Break down expense by supplier, lunch. Provide program for overworking payment and department payment.
- Elevator Floor Control: Control personnel to floors and time zones by groups or individual for enforcing security.
- Dynamic multi-thread module: fasten speed of data transferring to collect data instantly and concurrently from at most 10 devices.
- Web Service Module: integrated with HR system by providing Web Service API.
- Distributed Module: distributed system, supports multi-PCs to work together in order to collect and download through same web program and database with same system management.