



# Cabinet lock

## PCL-100

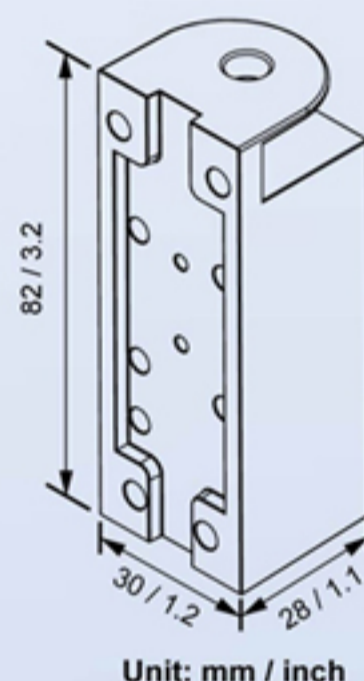


### Product Description

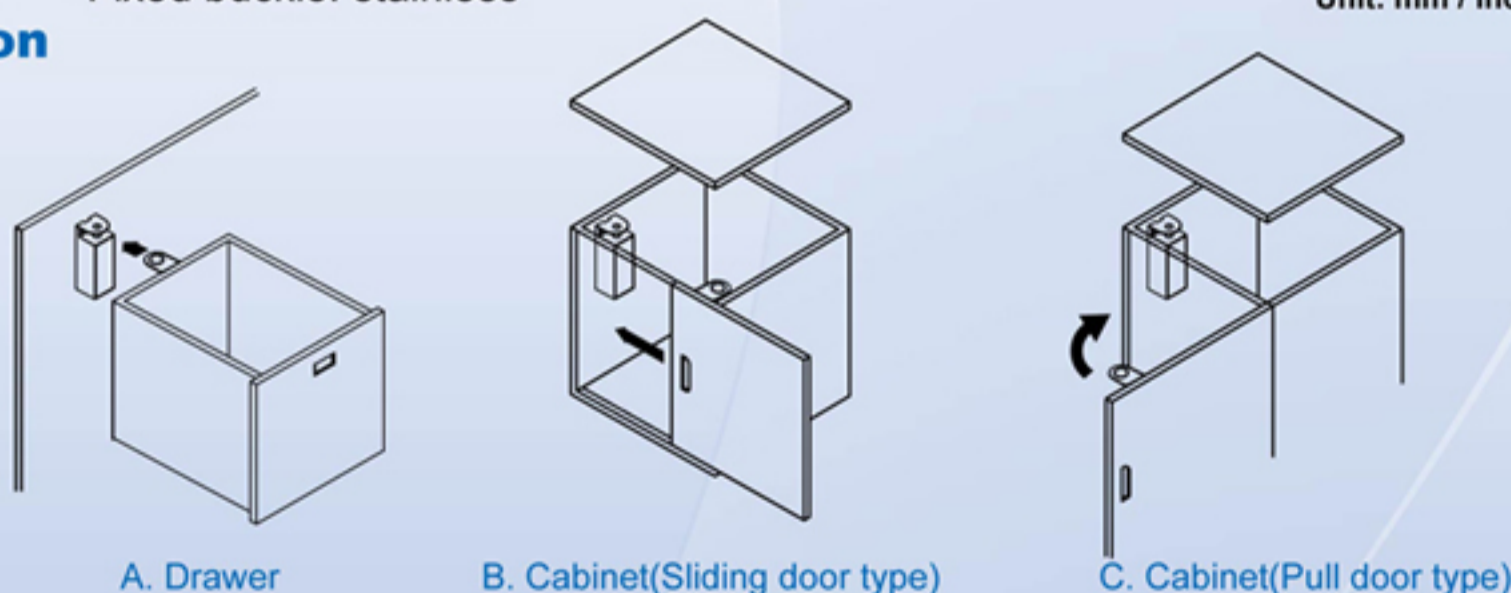
- Compact size for simple installation.
- For drawers, lockers, mailboxes, boxes and similar devices used.
- Selecting the cabinet lock operation: fail-safe / fail-secure
- With lock sensor.(For PCL-100S)

### Specifications

Dimensions : 82 (L) x 30 (W) x 28 (H) mm  
3.2(L) x 1.2 (W) x 1.1(H) inch  
Voltage/Current : 12VDC/250mA, 24VDC/125mA  
Material : Lock body: Aluminum alloy  
Plate cover: stainless steel  
Fixed buckle: stainless



### Application



### How to order

**PCL-100** Cabinet lock, operation: fail-safe / fail-secure

**PCL-100S** Cabinet lock with lock sensor, operation: fail-safe / fail-secure

## PONGEE INDUSTRIES CO., LTD.

5F., No.738, Chung-Cheng Rd., Chung-Ho District, New Taipei City 23511, Taiwan

Tel : 886-2-82280198

Fax : 886-2-82280191

E-mail : [pongee@pongee.com.tw](mailto:pongee@pongee.com.tw)

Website:<http://www.pongee.com>

We reserve the right to change the specification without notice or obligation!

# Configurations



PG Software

