

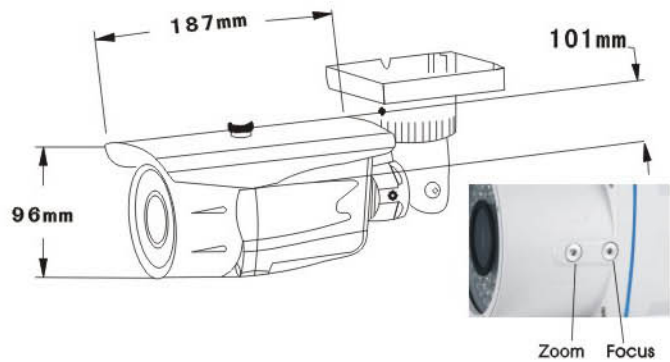
Sony EFFio 700TVL CCTV Camera

ENSTER
www.enster.com



FEATURES

- ❑ Ip66 weatherproof
- ❑ With mechanical switch IR CUT filter
- ❑ Impressive Color Reproduction
- ❑ SONY CCD sensor /SONY DSP
- ❑ Electric shutter function
- ❑ Unique appearance design
- ❑ 60 pieces IR-LED
- ❑ IR-LED Distance: More Than 50m



SPECIFICATIONS

Model:	EST-W7055BM
Image Sensor:	1/3"SONY CCD
Effective Pixels:	PAL: 976(H) x 582(V) NTSC:976(H) x494(V)
Sensing Area:	4.9mmx3.7mm
Signal System:	PAL/NTSC
Horizontal Resolution:	700TVL
Minimum Illumination:	0.1Lux/F1.2, 0Lux(IR On)
Lens mount:	5-15mm Varifocal Lens
S/N Ratio:	More than 52dB(AGC OFF)
Shutter Speed:	1/50(1/60)- 1/100,000(sec)
White Balance:	Automatic White Balance
Gamma characteristics	0.45
Infrared Luminary:	60 pieces IR-LED,
Illuminate distance:	More than 50m
Video Output:	1.0Vp-p,75Ω
Power Requirement:	DC12V
Power Consumption:	120mA(IR OFF), 400mA(IR ON)
Material	Aluminum



- MAIN MENU**
- LENS
 - SHUTTER/AGC
 - ATR
 - DAY/NIGHT
 - MOTION DET
 - LANGUAGE
 - WHITE BAL
 - NR
 - CAMERAID
 - PRIVACY
 - CAMERA RESET
- EXIT SAVE ALL**

Effio™

600TVL High resolution Real Wide Dynamic Camera



EST-S601



- WDR camera, 600TVL,
- 3D-DNR, BLC, OSD menu,
- 6x digital zoom, motion detection, privacy mask
- 1/3"Sony DS CCD,0.0003LUX,WDR/BLC/ECLPS,
- Ultra High Resolution 600TVL,3D-DNR,
- 6X Digital Zoom Privacy Region Shielded

EST-S600



- WDR Box Camera,
- 1/3"Sony DS CCD,0.0003LUX,
- WDR/BLC/ESTLPS,Ultra High Resolution 600TVL,
- 3D-DNR, 6X Digital Zoom
- motion detection, privacy mask
- Privacy Region Shielded,O.S.D Menu

EST-D600



- WDR Dome Camera
- 1/3"Sony DS CCD,0.0003LUX
- WDR/BLC/ESTLPS,Ultra High Resolution 600TVL
- 3D-DNR, 6X Digital Zoom
- motion detection, privacy mask
- Privacy Region Shielded,O.S.D Menu
- Varifocal 4-9mm Lens

EST-W600



- WDR Waterproof IR Camera
- 1/3"Sony DS CCD,0.0003LUX
- WDR/BLC/ESTLPS,Ultra High Resolution 600TVL
- 3D-DNR, 6X Digital Zoom
- motion detection, privacy mask
- Privacy Region Shielded,O.S.D Menu
- Varifocal 4-9mm Lens
- 60pieces ϕ 5 IR-LED
- Illuminate distance 40-50m

WDR(Wide Dynamic Range)

WDR technology provides vivid colors without losing details, even under back light circumstances where intensity of illumination can vary excessively within the scene.



WDR OFF



WDR ON



420TVL



600TVL

High sensitivity, true day/night and 3-DNR

Reducing noise, allowing much better visibility in low-light conditions at full frame-rate. It also has day and night capability, and give colors even in significantly low light conditions when other cameras already show B/W images.Reducing compressed size/bandwidth.



DNR OFF



DNR ON

ENSTER
www.enster.com

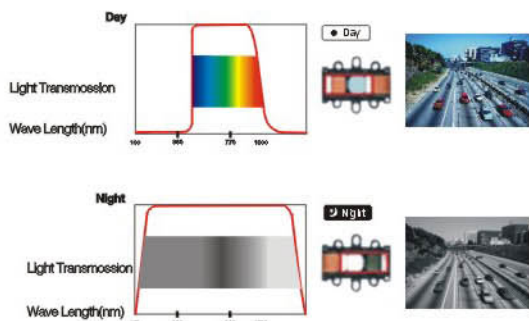
TDN (ICR) Camera----- (True day/night: Color to B/W mechanical switch filter)

ENSTER
www.enster.com

EST-W7055BM-CT



- Externally adjust for Zoom&Focus
- Varifocal 4–9mm Lens
- 60pieces IR–LED
- Illuminate distance 50m
- Option Varifocal Lens:5–15mm
- With IR Cut Filter



IR–cut Filter Removable

An ICR(IR–cut Filter Removable) is a mechanical shutterdesign.It is placed between the lens and the image sensorand is controlled by a motor or an electromagnet .When the ICR is switched on, it will block infrared light and allowonly visible light to pass through.When the ICR is switched off, infrared light will be allowed and images will turn intoblack–and–white mode,which is more sensitive to infraredlight.

Pan–Focus Lens

- clear focus for all object distances
- clear focus across the entire zooming range
- High resolution images continuously provided at all focal lengths
- Smallest zoom in security field



One remote can control 99 purchase camera by pelco-P/D from RS-485



Pan–focus lens Camera

EST-W5453



- No screwdriver to adjust the Zoom&Focus
- Varifocal Lens 5–15mm,
- 3x Varifocal Synch Focus Lens
- RS485 Data Communication,
- 36 pieces ϕ 8 IR–LED
- Illuminate distance >40m
- Option Varifocal Lens:5–15/8–20mm
- Option : 480TVL ,540TVL ,650TVL ,700TVL

3-Axis Anti-Cutting Cable magement Bracket



EST-W5558



- 3 axis Bracket adjustable
- External adjust for Zoom&Focus
- 42 pieces ϕ 5 IR-LED
- Illuminate distance 40m
- Varifocal 4-9mm Lens,
- Option Varifocal Lens:5-15/8-20mm
- Option : 480TVL ,540TVL ,650TVL , 700TVL

EST-W5420C



- 36pieces ϕ 5 IR-LED
- 30m Illuminate distance
- 3.6/6mm board lens
- Include Bracket
- Option : 420TVL ,480TVL , 540TVL ,650TVL , 700TVL

EST-W5405E



- 36pieces ϕ 5 IR-LED
- 30m Illuminate distance
- 3.6/6mm board lens
- Include Bracket
- Option : 420TVL ,480TVL , 540TVL ,650TVL , 700TVL

EST-W5407C



- 36pieces ϕ 5 IR-LED
- 30m Illuminate distance
- 3.6/6mm board lens
- Include Bracket
- Option : 420TVL ,480TVL , 540TVL ,650TVL , 700TVL

EST-W5404C



- 36pieces ϕ 5 IR-LED
- 30m Illuminate distance
- 3.6/6mm board lens
- Include Bracket
- Option : 420TVL ,480TVL , 540TVL ,650TVL , 700TVL

EST-W5404D



- 24pieces ϕ 5 IR-LED
- 20m Illuminate distance
- 3.6/6mm board lens,
- Include Bracket
- Option : 420TVL ,480TVL , 540TVL ,650TVL , 700TVL

EST-W5420B



- 24pieces ϕ 5 IR-LED
- 20m Illuminate distance
- 3.6/6mm board lens,
- Include Bracket
- Option : 420TVL ,480TVL , 540TVL ,650TVL , 700TVL

EST-W5401C



- 24pieces ϕ 5 IR-LED
- 20m Illuminate distance
- 3.6/6mm board lens,
- Include Bracket
- Option : 420TVL ,480TVL , 540TVL ,650TVL , 700TVL